

# T800.1

T800.1 is suitable for:

Sheets

B1/70 x 100 cm



# T800.1

# T800.1 – excellent folding quality

The T800.1 is MBO's premium buckle folding machine with a universal scope of applications and unique range of folding types. It also stands for the highest folding performance and maximum output.

MBO folding machines and features are built with the operators in mind, both for practical requirements and concerning the versatility of the medium of paper.

Convenience plays an important role here. The easier the procedures and work processes, the more efficient the production can become. With high output at excellent quality, the T800.1 offers ideal prerequisites for maximising productivity. A wide range of folding types and individualised automation options ensure smooth production for medium and high print runs and frequently changing folding types.

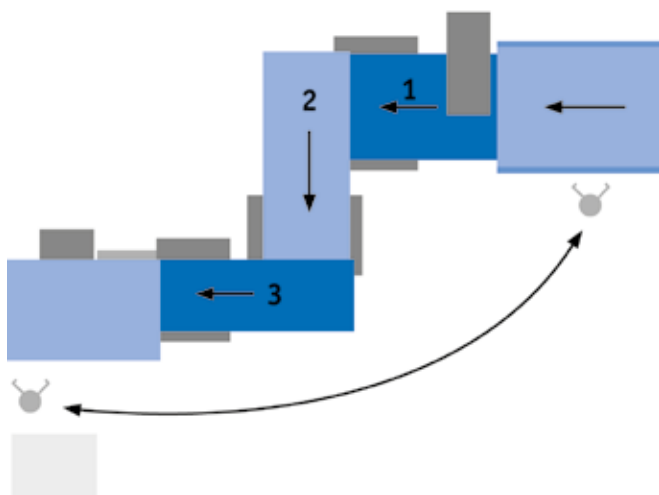


Automated T800.1 with continuous feeder and folding unit II and III.

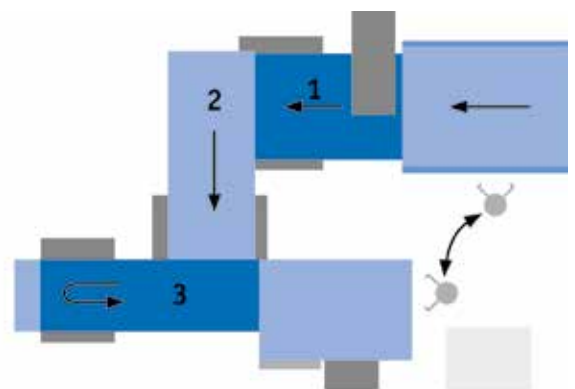
## Short paths due to the sheet return device RFE

The sheet return device RFE is available as an option for the third folding unit. The folded sheets are returned under the third folding unit via bands. This makes it possible to position the delivery near the feeder. This has become more ergonomic and leads to less strain on the operator,

since the path between the feeder and delivery is shortened by about 80%. Thanks to the sheet return device the machine can now be operated by a single person instead of two. The sheet return device therefore lowers staff requirements as well as saves a considerable amount of space.



T800.1 without sheet return device RFE.



T800.1 with sheet return device RFE.

# T800.1 in comparison

In addition to the T800.1, the MBO range includes the B30E buckle fold machine for the B1/70 x 100 cm format range.

## B30E

The B30E is a fully manual buckle folder, therefore a very cost-effective solution. It is particularly well-suited for operations with high print runs and nearly uniform folding types. Of course, the B30E folds with the same quality and accuracy as the T800.1, thanks to the high-quality MBO

features and components. For example, these features include the maintenance-free belt drive, the continuous sheet stop in the first buckle plate or buckle plates with swing deflectors.

		B30E	T800.1
<b>Feeders</b>	Pile feeder	✓	–
	Palletized feeder	✓	✓
	Continuous feeder	✓	✓
<b>Folding unit I</b>	Slitter shaft cassette	–	✓
<b>Folding unit II</b>	Slitter shaft cassette	–	✓
	Double stream device	✓	✓
<b>Folding unit III</b>	Double stream device	✓	✓
	Sheet return device RFE	–	✓
<b>Optional automation</b>		–	✓
<b>Production speed</b>		205 m/min (670 fpm)	230 m/min (755 fpm)



B30E with continuous feeder and delivery A56.



The two-part sound insulation unit is a standard feature in all folding units, both in the T800.1 and the B30E. It not only ensures optimal sound insulation, but also good accessibility to the buckle plates and rollers as well.

# Features

## Machine control

### Standard feature:

- Machine control M1 Basic with touchscreen and remote access software RAS

### Additional feature:

- Datamanager 4.0

## Feeder

### Standard features:

- Continuous feeder
- Vivas (Vacubelt and Vacutable)

### Alternative feature:

- Palletized feeder with feeder head Vaculift RS or feeder head Vacujet

## Folding unit I

### Standard features:

- 4 buckle plates
- 1<sup>st</sup> buckle plate with swing deflector and continuous sheet stop
- 2<sup>nd</sup>-4<sup>th</sup> buckle plate with swing deflector
- Spiral fold rollers with hard PU
- Slitter shaft cassette for single rear slitter shafts
- Perforating-, scoring- and cutting devices for standard jobs
- Transfer table
- Maintenance and noise-free belt drive
- Two-part sound insulation unit

### Alternative features:

- 6 buckle plates
- 2<sup>nd</sup>-4<sup>th</sup> (optionally up to 6<sup>th</sup>) buckle plate as combination buckle plates
- Virotec fold rollers

### Additional features:

- Gatefold plate
- Long conveyor table with sheet ejection unit after the folding unit I including ultrasonic double sheet control
- Various slitter shaft accessories, for example gully cut device, edge trim device, punch perforating device, multiple perforation device, etc.
- Device for glueing and folding

## Folding unit II

### Standard features:

- 4 buckle plates
- 1<sup>st</sup> buckle plate with swing deflector and continuous sheet stop
- 2<sup>nd</sup>-4<sup>th</sup> buckle plate with swing deflector
- Spiral fold rollers with hard PU
- Single rear slitter shafts
- Perforating-, scoring- and cutting devices for standard jobs
- High-Speed-Guide
- Transfer table
- Maintenance and noise-free belt drive
- Two-part sound insulation unit

### Alternative features:

- 6 buckle plates
- 2<sup>nd</sup>-4<sup>th</sup> (optionally up to 6<sup>th</sup>) buckle plate as combination buckle plates
- Virotec fold rollers

### Additional features:

- Gatefold plate
- Slitter shaft cassette for single rear slitter shafts
- Double stream device
- Various slitter shaft accessories, for example gully cut device, edge trim device, punch perforating device, multiple perforation device, etc.

## Folding unit III

### Standard features:

- 4 buckle plates
- 1<sup>st</sup>-4<sup>th</sup> buckle plate with swing deflector
- Spiral fold rollers with hard PU
- Single rear slitter shafts
- Perforating-, scoring- and cutting devices for standard jobs
- High-Speed-Guide
- Transfer table
- Maintenance and noise-free belt drive
- Two-part sound insulation unit

### Alternative feature:

- 1<sup>st</sup>-4<sup>th</sup> buckle plate as combination buckle plates

### Additional features:

- Double stream device
- Sheet return device RFE
- Various slitter shaft accessories, for example gully cut device, edge trim device, punch perforating device, multiple perforation device, etc.

---

## Optional automation

- Buckle plates, sheet deflectors and fold rollers in all folding units
- Slitter shaft settings in folding unit II and III (only possible if no slitter shaft cassette is present)



### Machine control M1 Advanced with touchscreen

#### Standard feature

The machine control M1 Advanced can be operated from any folding unit. The screen diagonal of the adjustable touchscreen on folding unit I is 15.6" and on the subsequent folding units 10.1".

The operator is optimally supported when setting up a new job. Common standard folding impositions are preconfigured in "Quick Mode". Every technically possible and sensible variant can be put together in "Expert Mode". In addition, optimal sheet gaps and speeds are automatically calculated and set in all folding units. In addition, the machine control M1 Advanced features sheet monitoring across all folding units. This includes sheet length control and sheet-monitoring using sensors.

The control includes a router for the remote access software RAS. The machine control M1 Advanced is also compatible with the Datamanager 4.0, a software package for production planning and analysis. Among other things, Datamanager 4.0 contains a folding imposition catalogue which supports the user during set-up.



### **Continuous feeder**

Standard feature

The continuous feeder is suitable for interruption-free processing of challenging paper types. It is also a desirable choice for processing pre-folded, pre-perforated or punched products. The feeder is loaded manually, during ongoing production.



### **Vivas (Vacubelt and Vacutable)**

Standard feature

Vivas ensures reliable flat sheet infeed and optimum sheet run with high throughput capacity. The Vivas vacuum system replaces the standard suction wheel and the ball rails. Vivas also guarantees no marks, even with delicate and freshly printed products. The vacuum of the suction belt can be adjusted infinitely for the corresponding paper quality during ongoing production and saved.



### **Palletized feeder**

Alternative feature

The palletized feeder is suitable for processing pallets directly from the printing press. It is ideal for processing large runs with one-person operation. The feeder can be loaded from the rear and from the operator side, saving valuable space. The feeder head mount can be raised, thus ensuring clear accessibility for manual loading.



### **Feeder head Vaculift RS in the palletized feeder**

Alternative feature

The Vaculift RS feeder head features exceptional ease of operation. It is based on mechanical lifting principles. The four bellows units of the Vaculift RS feature automatic height adjustment to the paper stack. This facilitates the set-up process. The Vaculift RS achieves a frequency of up to 25,000 cycles per hour.



### **Feeder head Vacujet in the palletized feeder**

Alternative feature

The newly developed feeder head Vacujet features exceptional ease of operation. Its four bellows units offer automatic height adjustment to the paper stack and thus guarantee smooth running even with uneven pallets. The Vacujet achieves a frequency of up to 25,000 cycles per hour.



### **Maintenance and noise-free belt drive**

Standard feature

The proven MBO belt drive guarantees extremely quiet operation and long maintenance-free periods. Thanks to the auto-tensioning elements, controlling and readjusting is no longer necessary. The functionality is monitored by the machine controller. Low follow-up and operational costs make the MBO belt drive an especially efficient long-term solution.



### **Slitter shaft cassette for single rear slitter shafts**

Standard feature in folding unit I; additional feature in folding unit II

The slitter shaft cassette is removable. At the ergonomically ideal height, all tools and strippers can be adjusted quickly and precisely, outside the machine. This means the operator does not have to lean inside the machine and can work in ergonomic comfort. The slitter shaft cassette therefore permits a one-person operation. It also contributes to a reduction in set-up time of up to 60%, for example in multi-up production.



### **High-Speed-Guide**

Standard feature in folding unit II and III

Thanks to the conical rollers, the High-Speed-Guide guarantees absolutely safe sheet transport, even at high speeds. Due to the non-slip drive of the folding products markings can be ruled out, even if sensitive products are processed.



### **Conveyor table with sheet ejection**

Additional feature after folding unit I

After the first folding unit, a conveyor table with sheet ejection unit can be selected as an option. Incorrectly folded sheets and double sheets (detected with ultrasonic double sheet monitoring) are ejected here during ongoing production. Production failures can be minimised and the net output of the T800.1 can be increased with the conveyor table with ejection of wasted sheets.



### **Double stream device**

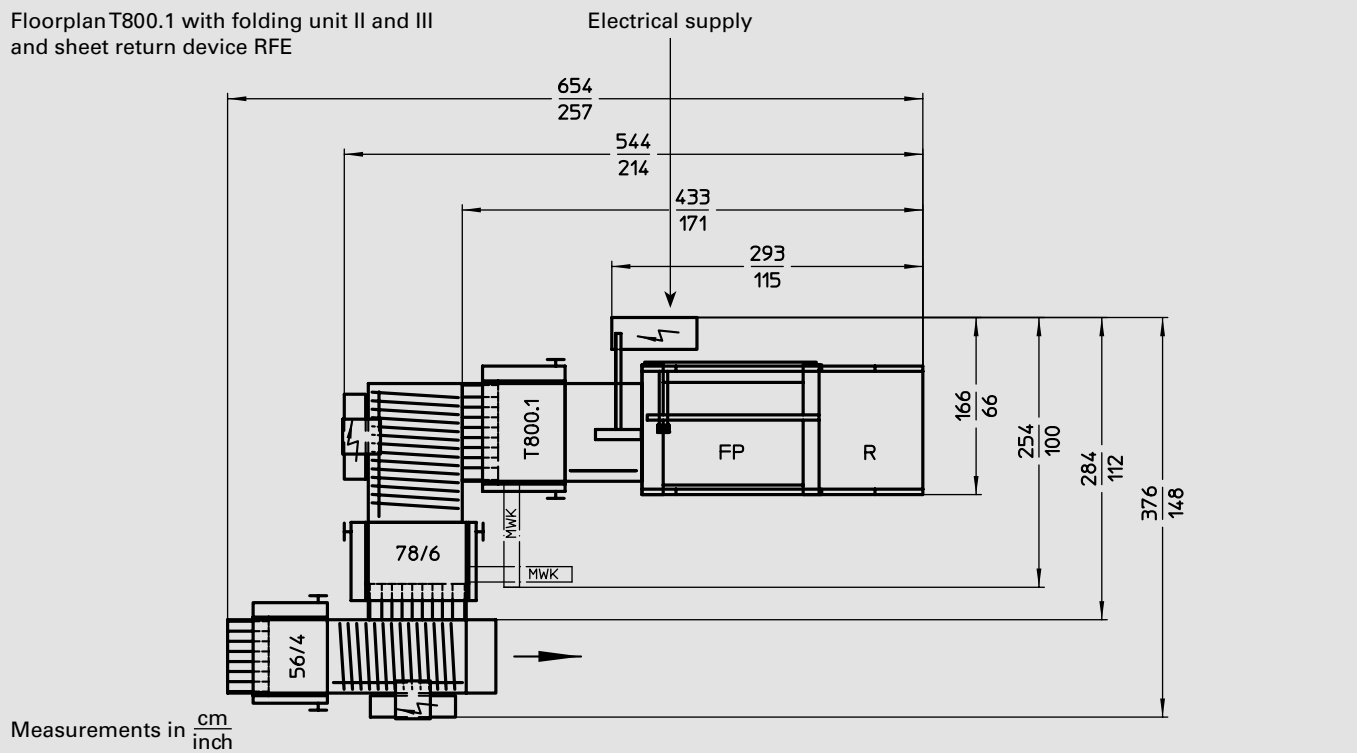
Additional feature in folding unit II and III

Using the double stream device, two sheet streams, which were separated in the first folding unit, can be transported in the folding unit II and III. This considerably increases the productivity of the machine.

# Technical specifications

		T800.1 – R		T800.1 – FP		Folding unit II 78		Folding unit III 56		Folding unit III 56 + RFE	
		mm	inch	mm	inch	mm	inch	mm	inch	mm	inch
<b>Pile height</b>	max.	80	3 1/8	1,200	47 1/4	–	–	–	–	–	–
<b>Infeed width</b>	min.	150	5 7/8	250	9 3/4	150	5 7/8	150	5 7/8	150	5 7/8
	max.	780	30 3/4	780	30 3/4	760	29 7/8	540	21 1/4	510	20 1/8
<b>Infeed length</b>	min.	180	7	250	9 7/8	–	–	–	–	–	–
	max.	1,080 (2,000)	42 1/2 (78 3/4)	1,200	47 1/4	–	–	–	–	–	–
<b>Folding length</b>	min.	60	2 3/8	60	2 3/8	60	2 3/8	60	2 3/8	60	2 3/8
<b>Number of buckle plates</b>		4 or 6		4 or 6		4 or 6		4		4	
<b>Fold roller diameter</b>		43.7	1 3/4	43.7	1 3/4	43.7	1 3/4	43.7	1 3/4	43.7	1 3/4
<b>Slitter shaft diameter</b>		35.0	1 3/8	35.0	1 3/8	35.0	1 3/8	35.0	1 3/8	35.0	1 3/8
<b>Product thickness at exit (thicker on request)</b>	max.	2.0	1/16	2.0	1/16	2.0	1/16	2.0	1/16	2.0	1/16
<b>Speed</b>	min.	30 m/min (98 fpm)									
	max.	230 m/min (755 fpm)					205 m/min (670 fpm)				
<b>Electrical supply</b>	M1 Advanced (3 x 400 V 50/60 Hz 3 x 220 V 50/60 Hz)	7.8 kVA max. 63 A		8.3 kVA max. 63 A		2.5 kVA max. 32 A		1.7 kVA max. 32 A		1.7 kVA max. 32 A	

Floorplan T800.1 with folding unit II and III and sheet return device RFE



06/2021\_v3

**MBO Postpress Solutions GmbH**  
 Grabenstrasse 4-6 ■ 71570 Oppenweiler ■ Germany  
 Phone +49 (0) 7191/46-0 ■ info@mbo-pps.com  
[www.mbo-pps.com](http://www.mbo-pps.com)

This brochure is subject to change without notice.  
 Technical specifications vary depending upon paper quality.

Your contact person: